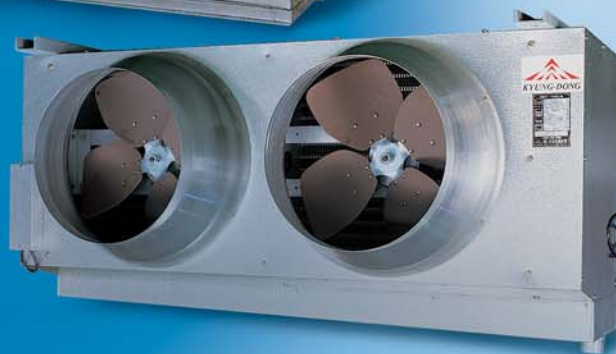




KyungDong

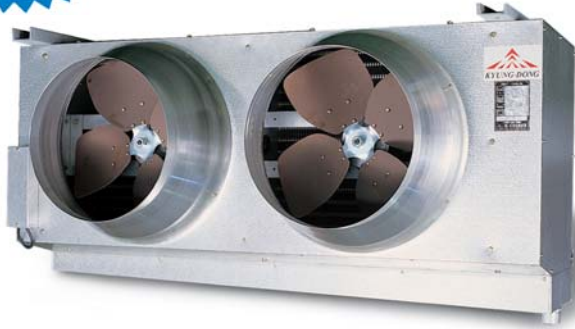
FREON UNIT COOLER



(株)京東冷熱産業
KYUNG DONG R&H CO., LTD.

FREON UNIT COOLER

농가표준형
채택품



PP-TYPE 천정형 / Ceiling mounted type

농림부, 한국 식품 개발 연구원 지정

■ 농가형 표준 UNIT COOLER
UNIT COOLER of the farmhouse standard

형수	열량 Thermal capacity	전열면적 Transfer Area	TYPE
10평형	9,200kcal/h	71.49M ²	KUC-PP100
15평형	15,185kcal/h	118M ²	KUC-PP150

1. 제상방법의 다양한 선택
2. 50mm pipe pitch 사용 - 전열면적 극대화
3. 제상횟수 단축
1. Various defrost Method
2. Maximize Transfer Area used by 50mm Pipe Pitch
3. Reduce defrost time



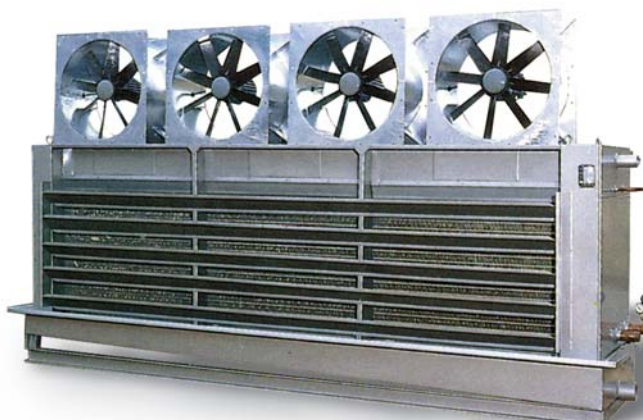
PA-TYPE 천정바닥 안착형
Ceiling & Floor mounted type

1. 기종이 견고, 고효율화
2. 6P MOTOR채택 저소음화
3. 천정부착 및 안착 용이
4. 제상 방법의 다양한 선택
1. Solid and High efficiency
2. Low sound level by 6 pole motor
3. Easy installation of the ceiling and floor mounted
4. Various defrost method



F-TYPE 바닥 안착형
Floor mounted type

1. 제상 및 보수점검 단순화
2. 살수 제상능력의 탁월
3. 바닥 안착 설치시 용이
4. 저온 창고에 적합함.
1. Simplification of the defrost and repairing
2. Superiority of capacity of the water spray defrost
3. Easy installation of the floor mounted
4. Appropriate to the low temp cold storage



D.P.F-TYPE 전면 흡입형
Front Suction Type

1. 제상방식의 다양한 선택
2. 보수점검이 용이
3. AXIAL FAN을 주위조건에 맞게 탈부착 용이
4. 동결능력의 최대화
1. Various defrost method
2. Easy repairing and maintenance
3. Easy assembly and disassembly of the AXIAL FAN suitable to surrounded temp.
4. Maximize Freezing Capacity

1. 제조경험 풍부 (35년 전문 생산업체)

- 1977년 부터 UNIT COOLER 생산에 의한 경험축적

2. 냉동설비 및 unit cooler 등 기기설비 경험 풍부

- 냉동부하 및 조건에 따른 다양한 설계경험

3. 생산관리 수준 선진화

- I.S.O 9002에 따른 생산, 관리 수준 향상

4. 제품개선 및 설계자 다수보유

5. 실험에 따른 제품개발 노력 경주

- 실험실 확보에 따른 실험 및 부경대학 냉동공학과 교수의 연구 및 자문

6. 기술개발 노력 경주

- 일본 샤쿠라존의 기술도입

7. 품질의 선진화 고효율화

- 1) 제상장치의 개발에 의한 효율증대 (실용산안 제 129519호, 120899호)
- 2) 제상 효율 증대 장치 채택 - P5참조 (단파장치 및 후드장치 등)
- 3) 토출구 후드장치 선택
- 4) FAN-MOTOR 등급향상-IP54 (AXIAL 용)
- 5) AXIAL FAN의 선진화(독일 NOVENCO제품)
- 6) 직팽식 분배기의 최대 효율화 이룩 (하자율 1% 미만)
- 7) 제품수명 10년이상 견고화
 - 하자책임 3년 보장
 - 판금재질 갈바륨 1.2t이상 사용(AL+ 아연도금판)
- 8) -60℃ 이원냉동기용 UNIT COOLER개발 (납품 실적 30대 이상)

1. We have a plentiful manufacturing experience of Unit cooler for 35 years since 1977.

2. Abundance of refrigeration equipment and Unit cooler instrument equipment.

- Variety of designing in accordance with refrigeration load.

3. Apply advanced manufacturing control.

- Consistent production quality control system obtained by the certificate of I.S.O 9002

4. Product improvement and design are capable of numerous engineer.

5. Make best efforts to develop new products with the endless test.

6. Endless efforts for the development of new technology

- Introduced technology of the japanese cooler maker

7. Being advanced and high efficiency of quality

- 1) Increase efficiency by the development of the defrost device. (Patent No.129519, No.120899)
- 2) Apply device for the defrost efficiency enlargement (Example : Damper, Hood etc.)
- 3) Select hood device at the discharge inlet
- 4) Apply to high-grade of the Fan Motor-IP54 (for AXIAL)
- 5) Advanced of axial fan ("NOVENCO" Made by GERMANY)
- 6) Maximize the efficiency by the direct expansion Distributor (below 1% defect)
- 7) Long Lasting Trust for Over 10 years
 - 3 year warranty
 - Raw Material of Casing sheet : Galvarium 1.2t (AL + Galvanized plating sheet)
- 8) Developed -60℃ Unit Cooler (for Dual Refrigeration)
 - Supplied about 30 sets of the Unit Cooler

신제품

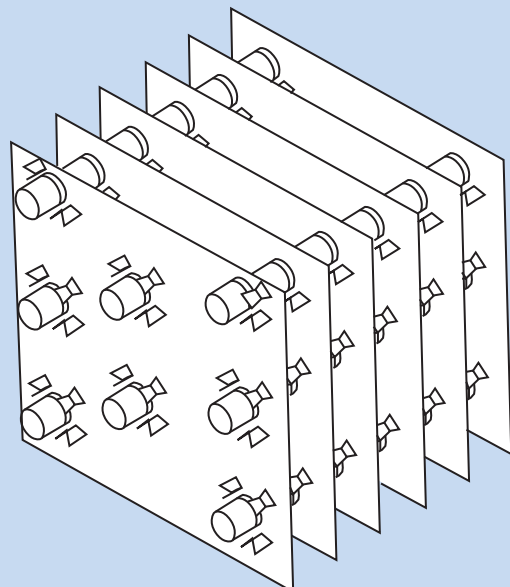
■ 중소형 UNIT COOLER(S-TYPE)냉동용 침상핀 채택
 - 전열 효율증대

1. 방열판 통과 공기의 난류 촉진
2. 방열판 두께 축소에 의한 전열효과 증대
3. TUBE부위의 공기와 직접 접촉에 의한 전열효과 증대

New Product

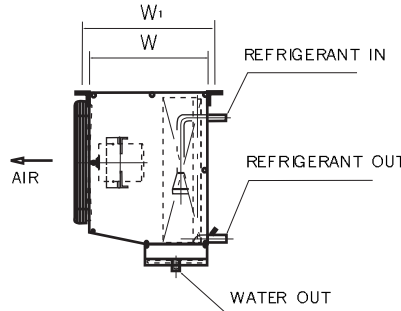
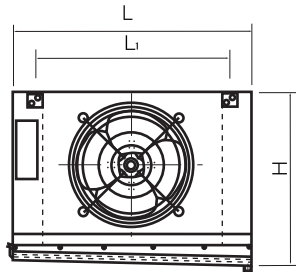
■ Apply acicular fin (Refrigeration) for small, middle size (S-type)
 -Increasing of the heat Transfer efficiency

1. Expedite the turbulence of passing air to the radiating plate
2. Increase heat transfer efficiency by the reduction of the radiating plate thickness.
3. Increasing of the heat transfer effect by direct touching and air on the environs of tube.



UNIT COOLER (천정형 : CEILING MOUNTED TYPE)

고정망 부착형 - 일반형 Fixing net attached type



특징

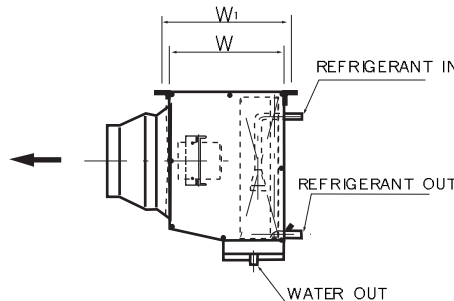
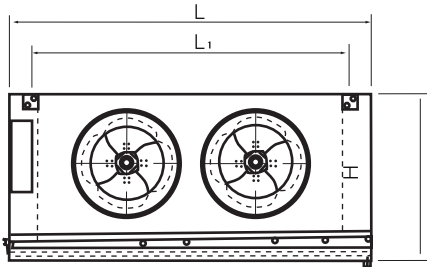
1. 히타 제상시 2중 드레인 판을 사용
 ㄱ. 보수점검이 용이
 ㄴ. 드레인 판 효율을 극대화
2. 6극 MOTOR를 사용 - 저소음화

Feature

1. Using of double drain pan on the heater defrost
 a. Easy repairing & maintenance
 b. Maximum of the drain pan efficiency
2. Low sound level by 6pole motor

99년 농림부, 한국식품개발연구원 지정 UNIT COOLER

신개발품 - 후드부착형 Hood attached type - New Developed Product



특징

1. 바람 도달거리 증대 (5M)이상
2. 고내의 냉기분포가 고루 유지됨.
3. 고효율화 제품

Feature

1. Increasing of wind-reaching distance
2. Maintaining of constant room temp
3. High efficiency of the Product


농가표준형
채택품


UNIT COOLER S-TYPE SPECIFICATION (PROPELLER FAN)

SPEC	MODEL	KUC-S030		KUC-S050		KUC-S075		KUC-S100		
		M	L	M	L	M	L	M	L	
ROOM TEMP		±5℃	-5 ~ -25℃	±5℃	-5 ~ -25℃	±5℃	-5 ~ -25℃	±5℃	-5 ~ -25℃	
COIL MAT'L		CU TUBE (CU 1220T), AL PLATE (AL 1100)								
DEFROST METHOD		ELECTRIC HEATER - H, HOT GAS - G, WATER - W								
FIN PITCH(M/M)		6.5	8.5	6.5	8.5	6.5	8.5	6.5	8.5	
TRANSFER AREA(M²)		13.21	10.86	23.13	19	33.36	27.41	47.44	38.98	
CAPACITY (kcal/h)	TD 5℃	1,760	1,360	3,075	2,380	4,435	3,430	6,310	4,880	
	TD 7℃	2,410	1,865	4,215	3,260	6,080	4,705	8,645	6,685	
	TD 10℃	3,780	2,925	6,615	5,115	9,540	7,380	13,565	10,490	
FAN MOTOR		0.1KW × 1, 6P		0.1KW × 2, 6P		0.2KW × 2, 6P		0.4KW × 2, 6P		
CURRENT (A)		1.2 / 0.7 A		2.4 / 1.4 A		3.5 / 2 A		4.4 / 2.6 A		
FAN DIA (M/M)		ø 400 × 1		ø 400 × 2		ø 450 × 2		500 × 2		
AIR VOLUME (CMM)		33		57		87		116		
PHASE / VOLTS		3 ø 220V / 380V 60Hz								
CASING		갈바륨 도금강판(GV)								
DEFROST	ELECTRIC HEATER	BODY	0.6KW × 4EA		0.9KW × 4EA		0.8KW × 5EA		1.1KW × 7EA	
		DRAIN	0.8KW × 1EA		1.1KW × 1EA		1.4KW × 1EA		1.7KW × 1EA	
		F.G.H	0.2KW × 1EA		0.2KW × 2EA		0.2KW × 2EA		0.2KW × 2EA	
	HOT GAS	1/2"		1/2"		5/8"		3/4"		
	WATER AMOUNT	26		45		69		91		
CONNECTION DIA(M/M)	IN/OUT	1/2" / 1"		1/2" / 1"		5/8" / 1 1/4"		5/8" / 1 1/4"		
	DRAIN E/W	1" / 2"		1" / 2"		1" / 2"		1" / 2 1/2"		
EXTERNAL SIZE(E)(L × W × H)		800 × 400 × 590		1290 × 400 × 590		1290 × 420 × 710		1670 × 450 × 710		
ANCHOR SIZE(E) (L' × W')		650 × 450		1100 × 450		1100 × 520		1475 × 550		
EXTERNAL SIZE(E)(L × W × H)		800 × 450 × 750		1290 × 450 × 750		1290 × 470 × 940		1640 × 500 × 940		
ANCHOR SIZE(E) (L' × W')		650 × 500		1100 × 500		1100 × 570		1475 × 600		
WEIGHT (KG)		55		84		107		138		

* 제품사양은 제품개발로 인하여 사전예고 없이 변경될 수 있습니다.
 * Above model & specifications can be changed without notice.

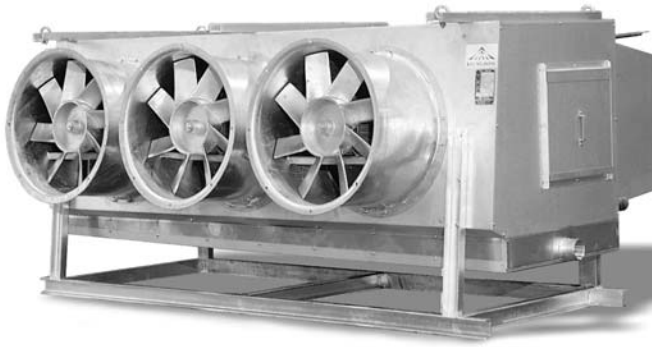
■ UNIT COOLER PP-TYPE SPECIFICATION (PROPELLER FAN)

SPEC		MODEL	KUC-PP075			KUC-PP100			KUC-PP150		
			M	L	HL	M	L	HL	M	L	HL
ROOM TEMP			±5℃	-5 ~ -25℃	BELOW -25℃	±5℃	-5 ~ -25℃	BELOW -25℃	±5℃	-5 ~ -25℃	BELOW -25℃
COIL MAT'L			CU TUBE (CU 1220T), AL PLATE (AL 1100)								
DEFROST METHOD			ELECTRIC HEATER - H, HOT GAS - G, WATER - W								
FIN PITCH(M/M)			6.5	8.5	10	6.5	8.5	10	6.5	8.5	10
TRANSFER AREA(M ²)			48.86	39.07	34.26	71.49	57.17	50.17	118.2	94.38	82.83
CAPACITY (kcal/h)	TD 5℃		4,585	3,360	2,685	6,710	4,920	3,952	11,075	8,120	6,480
	TD 7℃		6,285	4,610	3,675	9,200	6,745	5,380	15,185	11,130	8,880
	TD 10℃		9,865	7,230	5,670	14,430	10,580	8,440	23,825	17,465	13,935
FAN MOTOR			0.2KW × 2, 6P			0.4KW × 2, 6P			0.4KW × 2, 6P		
CURRENT (A)			3.5 / 2 A			4.4 / 2.6 A			4.4 / 2.6 A		
FAN DIA (M/M)			ø 450 × 2			ø 500 × 2			ø 550 × 2		
AIR VOLUME (CMM)			83			124			210		
PHASE / VOLTS			3 ø			220 / 380V			60Hz		
CASING			갈바륨 도금강판(GV)								
DEFROST	ELECTRIC HEATER	BODY	0.8KW × 6EA			1.1KW × 6EA			1.3KW × 9EA		
		DRAIN	0.6KW × 2EA			0.8KW × 2EA			0.8KW × 2EA		
		F.G.H	0.3KW × 2EA			0.3KW × 2EA			0.3KW × 2EA		
	HOT GAS		5/8"			3/4"			3/4"		
	WATER AMOUNT		62			93			158		
CONNECTION DIA(M/M)	IN/OUT		5/8" / 1 1/4"			5/8" / 1 1/4"			5/8" / 1 1/2"		
	DRAIN 		1" / 2"			1" / 2 1/2"			1" / 2 1/2"		
EXTERNAL SIZE(E)(L × W × H)			1320 × 600 × 650			1570 × 600 × 750			1850 × 600 × 1020		
ANCHOR SIZE(E) (L' × W')			1125 × 700			1375 × 700			1625 × 700		
EXTERNAL SIZE(E)(L × W × H)			1300 × 650 × 850			1570 × 650 × 980			1800 × 650 × 1260		
ANCHOR SIZE(E) (L' × W')			1125 × 750			1375 × 750			1625 × 750		
WEIGHT (KG)			129			167			231		

SPEC		MODEL	KUC-PP200			KUC-PP250			KUC-PP300		
			M	L	HL	M	L	HL	M	L	HL
ROOM TEMP			±5℃	-5 ~ -25℃	BELOW -25	±5℃	-5 ~ -25℃	BELOW -25℃	±5℃	-5 ~ -25℃	BELOW -25℃
COIL MAT'L			CU TUBE (CU 1220T), AL PLATE (AL 1100)								
DEFROST METHOD			ELECTRIC HEATER - H, HOT GAS - G, WATER - W								
FIN PITCH(M/M)			6.5	8.5	10	6.5	8.5	10	6.5	8.5	10
TRANSFER AREA(M ²)			143.9	115.08	10	192.9	154.26	135.38	213.19	170.49	149.63
CAPACITY (kcal/h)	TD 5℃		13,505	9,900	101	18,105	13,270	10,590	20,005	14,665	11,705
	TD 7℃		18,515	13,570	7,900	24,815	18,190	14,515	27,425	20,105	16,040
	TD 10℃		29,045	21,295	10,830	38,935	28,545	22,770	43,030	31,545	25,170
FAN MOTOR			0.4KW × 3, 6P 16,990			0.4KW × 3, 6P			0.75KW × 3, 6P		
CURRENT (A)			6.6/3.9 A			6.6/3.9 A			12.9/7.2 A		
FAN DIA (M/M)			ø 500 × 3			ø 550 × 3			ø 600 × 3		
AIR VOLUME (CMM)			256			343			379		
PHASE / VOLTS			3 ø			220 / 380V			60Hz		
CASING			갈바륨 도금강판(GV)								
DEFROST	ELECTRIC HEATER	BODY	1.5KW × 9EA			1.5KW × 12EA			1.7KW × 12EA		
		DRAIN	1.1KW × 2EA			1.2KW × 2EA			1.5KW × 2EA		
		F.G.H	0.3KW × 3EA			0.3KW × 3EA			0.3KW × 3EA		
	HOT GAS		3/4"			3/4"			3/4"		
	WATER AMOUNT		192			257			284		
CONNECTION DIA(M/M)	IN/OUT		3/4" / 2"			3/4" / 2"			3/4" / 2"		
	DRAIN 		1 1/4" / 2 1/2"			1 1/4" / 3"			1 1/4" / 3"		
EXTERNAL SIZE(E)(L × W × H)			2190 × 600 × 1050			2230 × 600 × 1050			2450 × 700 × 1070		
ANCHOR SIZE(E) (L' × W')			1965 × 700			1975 × 800			2175 × 800		
EXTERNAL SIZE(W)(L × W × H)			2140 × 650 × 1300			2170 × 750 × 1300			2400 × 750 × 1300		
ANCHOR SIZE(W) (L' × W')			1965 × 750			1975 × 850			2175 × 850		
WEIGHT (KG)			285			336			373		

* 제품사양은 제품개발로 인하여 사전예고 없이 변경될 수 있습니다.
 * Above model & specifications can be changed without notice.

UNIT COOLER PA-TYPE (천정형 바닥 안착식 : CEILING & FLOOR MOUNTED TYPE)

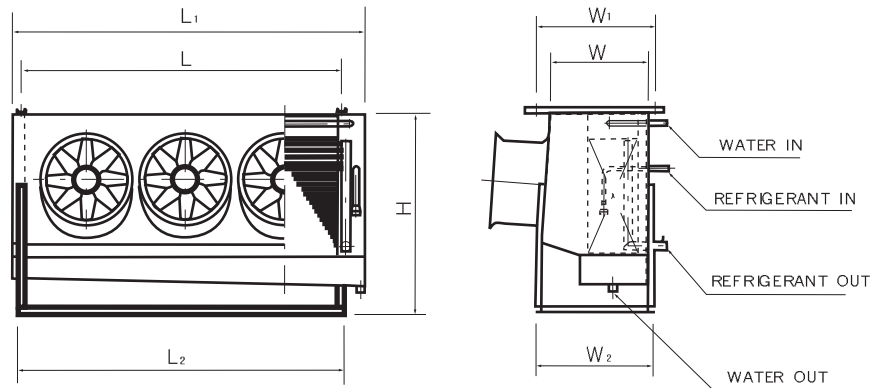


특징

1. 기종이 견고하고 고효율화
2. 6P MOTOR를 사용 저소음화
3. 드레인판 제상효과 탁월
4. 흡입 후드 선택에 의한 제상효율 극대화 (선택사양)

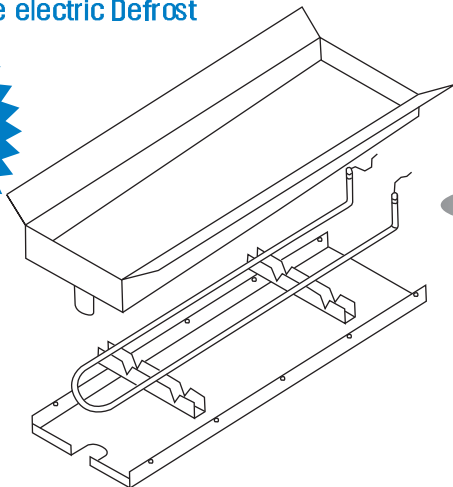
Feature

1. Solid and high efficiency
2. Low sound level by 6 pole motor
3. Maximum of defrost effect of the drain pan
4. Maximum of defrost effect by the selection of the suction hood (Option Model)



NEW UNIT COOLER 전기 제상시 2중 드레인판화
UNIT COOLER Using of the Double Drain Pan on the electric Defrost

실용신안 등록
 제 129519호
 Patent
 No. 129519



특징

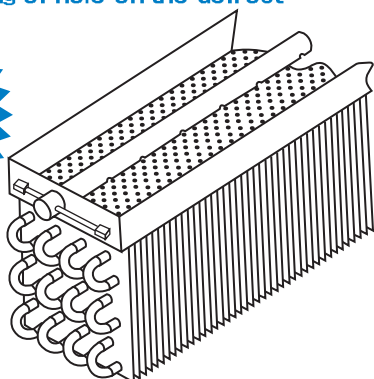
1. 드레인판 제상의 고효율화
 이중판 구조를 사용, 드레인판 전체에 발열층을 형성, 드레인 효과를 극대화
2. 운전비 절감효과
 히타 용량을 기존품보다 줄일수 있어 전력감소 및 운전비 절감효과
3. 히타의 수명연장 효과
 증발기 내부 습기가 많은 곳에 설치되지 않으므로 히타의 수명연장 효과
4. 보수 유지가 간편함.
 히타 교환시 배관 및 드레인판 전체를 분해하지 않고 2중판만 분해, 보수유지가 간편

FEATURE

1. **High Efficiency of the Drain Pan Defrost**
 Maximize drain effect by using of the double pan
2. **Saving of Operating Coat**
 Low electric consumption & low operating cost used by smaller Heater capacity than the existing product.
3. **Long lasting operation of heater**
 It is installed at the dry space.
4. **Easy repairing and maintenance**
 Easy disassembly of the Double pan without disjoints of the pipe and the drain pan.

살수 제상시 살수통 타공화 구조
With the special structure of plate consisting of hole on the defrost

실용신안 제
 120899호
 Patent
 No. 120899



특징

1. 살수시 외부로의 비산량 감소(노즐식 대비)
 - 2차 수조 집합에 의한 자연낙차에 의한 수살포식 이므로
2. 균일한 제상효과
 - FIN간격에 따른 구멍 간격 및 크기 조절에 의한 제상 효과상승
3. 증발기 주위 냉장실 바닥 결빙 적음.
4. 헛다 부위 제상완벽 (노즐사용)

FEATURE

1. Reduce scattering Q'ty to outside on the defrost than nozzle type.
 - Water spray defrost by the natural head
2. Constant defrost effect
 - Increasing of the defrost effect by hole interval and size adjustment in accordance with the fin distance.
3. Prevent ice formation on the cold storage
4. Perfect defrost of header by using of the nozzle.

■ UNIT COOLER PA-TYPE SPECIFICATION (AXIAL FAN)

SPEC		MODEL	KUC-PA150			KUC-PA200			KUC-PA250			
			M	L	HL	M	L	HL	M	L	HL	
ROOM TEMP			±5℃	-5 ~ -25℃	BELOW -25℃	±5℃	-5 ~ -25℃	BELOW -25℃	±5℃	-5 ~ -25℃	BELOW -25℃	
COIL MAT'L			CU TUBE (CU 1220T), AL PLATE (AL 1100)									
DEFROST METHOD			ELECTRIC HEATER - H, HOT GAS - G, WATER - W									
FIN PITCH(M/M)			6.5	8.5	10	6.5	8.5	10	6.5	8.5	10	
TRANSFER AREA(M ²)			118.02	94.38	82.83	143.9	115.08	101	192.9	154.26	135.38	
CAPACITY (kcal/h)	TD 5℃		11,075	8,120	6,480	13,505	9,900	7,900	18,105	13,270	10,590	
	TD 7℃		15,185	11,130	8,880	18,515	13,570	10,830	24,815	18,190	14,515	
	TD 10℃		23,825	17,465	13,935	29,045	21,295	16,990	38,935	28,545	22,770	
FAN MOTOR			1.5KW × 2, 6P			1.5KW × 2, 6P			2.2KW × 2, 6P			
CURRENT (A)			13.6 / 7.8 A			13.6 / 7.8 A			19 / 11.2 A			
FAN DIA (M/M)			ø 610 × 2			ø 650 × 2			ø 700 × 2			
AIR VOLUME (CMM)			210			256			343			
PHASE / VOLTS			3 ø			220 / 380V			60Hz			
CASING			갈바륨 도금판(GV)									
DEFROST	ELECTRIC HEATER	BODY	1.3KW × 9EA			1.5KW × 9EA			1.5KW × 12EA			
		DRAIN	0.9KW × 2EA			1.1KW × 2EA			1.2KW × 2EA			
		F.G.H	0.3KW × 2EA			0.3KW × 3EA			0.3KW × 2EA			
	HOT GAS			3/4"			3/4"			3/4"		
	WATER AMOUNT			158			192			257		
CONNECTION DIA(M/M)	IN/OUT		5/8" / 1 1/2"			3/4" / 2"			3/4" / 2"			
	DRAIN $\begin{matrix} E \\ W \end{matrix}$		1" / 2 1/2"			1 1/4" / 2 1/2"			1 1/4" / 3"			
EXTERNAL SIZE(E)(L × W × H)			1900 × 600 × 1300			2240 × 600 × 1300			2250 × 690 × 1350			
ANCHOR SIZE(E) (L' × W')			1625 × 800			1965 × 800			1975 × 890			
EXTERNAL SIZE(E)(L × W × H)			1850 × 680 × 1400			2190 × 680 × 1400			2200 × 770 × 1500			
ANCHOR SIZE(E) (L' × W')			1625 × 860			1965 × 880			1975 × 970			
WEIGHT (KG)			410			470			510			

SPEC		MODEL	KUC-PA300			KUC-PA350			KUC-PA400			
			M	L	HL	M	L	HL	M	L	HL	
ROOM TEMP			±5℃	-5 ~ -25℃	BELOW -25	±5℃	-5 ~ -25℃	BELOW -25℃	±5℃	-5 ~ -25℃	BELOW -25℃	
COIL MAT'L			CU TUBE (CU 1220T), AL PLATE (AL 1100)									
DEFROST METHOD			ELECTRIC HEATER - H, HOT GAS - G, WATER - W									
FIN PITCH(M/M)			6.5	8.5		6.5	8.5	10	6.5	8.5	10	
TRANSFER AREA(M ²)			213.19	170.49	10	236.67	210.86	185.06	311.61	249.2	218.7	
CAPACITY (kcal/h)	TD 5℃		20,005	14,665	149.63	24,745	18,140	14,475	29,245	21,440	17,105	
	TD 7℃		27,425	20,105	11,705	33,920	24,865	19,840	40,085	29,385	23,445	
	TD 10℃		43,030	31,545	16,040	53,220	39,015	31,130	62,895	46,110	36,785	
FAN MOTOR			2.2KW × 2, 6P		25,170	1.5KW × 3, 6P		2.2KW × 3, 6P				
CURRENT (A)			19/11 A			20.4 / 11.7 A			28.5 / 16.8 A			
FAN DIA (M/M)			ø 700 × 2			ø 650 × 3			ø 700 × 3			
AIR VOLUME (CMM)			379			468			553			
PHASE / VOLTS			3 ø			220 / 380V			60Hz			
CASING			갈바륨 도금강판(GV)									
DEFROST	ELECTRIC HEATER	BODY	1.7KW × 12EA			1.7KW × 16EA			1.8KW × 15EA			
		DRAIN	1.5KW × 2EA			1.5KW × 2EA			1.6KW × 2EA			
		F.G.H	0.3KW × 2EA			0.3KW × 3EA			0.3KW × 2EA			
	HOT GAS			7/8"			7/8"			1"		
	WATER AMOUNT			284			351			415		
CONNECTION DIA(M/M)	IN/OUT		3/4" / 2 1/2"			7/8" / 2 1/2"			7/8" / 2 1/2"			
	DRAIN $\begin{matrix} E \\ W \end{matrix}$		1 1/4" / 3"			1 1/2" / 4"			1 1/2" / 4"			
EXTERNAL SIZE(E)(L × W × H)			2470 × 770 × 1550			2570 × 780 × 1400			2970 × 780 × 1400			
ANCHOR SIZE(E) (L' × W')			2175 × 890			2275 × 980			2675 × 980			
EXTERNAL SIZE(E)(L × W × H)			2420 × 770 × 1550			2520 × 860 × 1500			2920 × 860 × 1500			
ANCHOR SIZE(E) (L' × W')			2175 × 970			2275 × 1060			2675 × 1060			
WEIGHT (KG)			530			650			730			

* 제품사양은 제품개발로 인하여 사전예고 없이 변경될 수 있습니다.
 * Above model & specifications can be changed without notice.

UNIT COOLER F, FH, FV-TYPE (상치형 : UPPER MOUNTED TYPE)

F-TYPE 바닥 안착식 : Floor Mounted type

특징

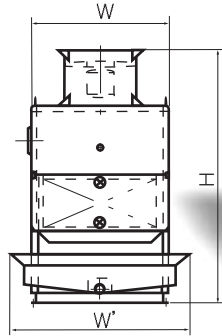
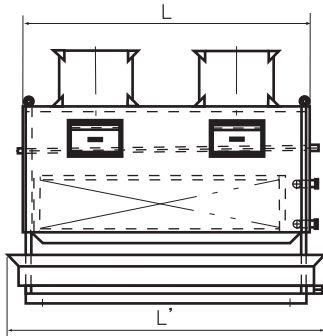
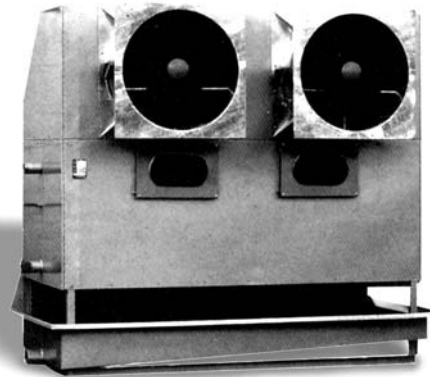
1. 제상 및 보수점검 단순화
2. 살수 제상능력의 탁월
3. 바닥 안착 설치시 용이
4. 저온 창고에 적합함.

FEATURE

1. Simplification of the defrost and repairing
2. Superiority of capacity of the water spray defrost
3. Easy installation of the floor mounted
4. Appropriate to the low temp, cold storage.



FH-TYPE



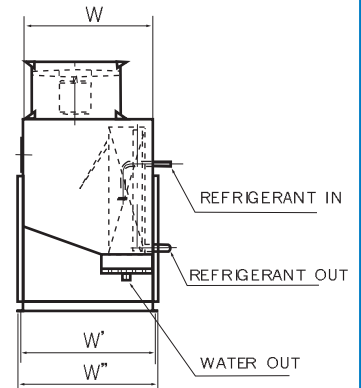
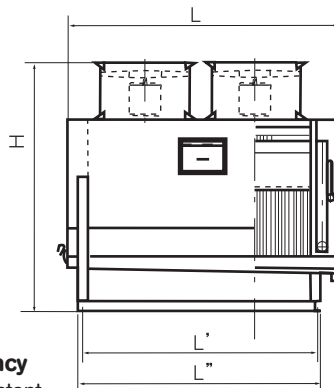
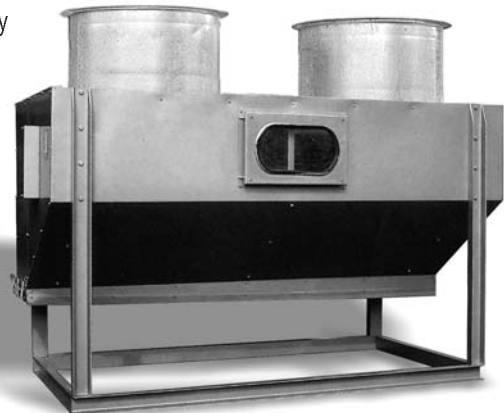
FV-TYPE 전기 제상전용 Unit Cooler : For Electric Defrost Only

특징

1. 전기 제상효과 최대화
상치형 Unit Cooler의 단점인 전기 제상에서 확실한 제상이 이루어짐.
2. 보수, 점검 단순화
코일부위가 노출형이며 헷다부위 및 제상부위 점검이 용이한 구조
3. A/S의 극소화
1) 폐사의 특허품인 이중드레인판 채택으로 드레인 히터 수명이 길어지며 퇴수가 확실함.
2) 밀폐식 드레인판 구조임으로 이물질 흡입이 적어 배관 막힘이 적고 드레인판 청소가 불필요함.
4. 냉동효과 증대
실내공기 흡입구가 넓어 충분한 열교환과 고온 실내온도분포의 효과가 있음.

FEATURE

1. **Maximum of the electric defrost effect**
-Optimize perfect defrost in the electric defrost of floor mounted unit cooler
2. **Easy repairing and maintenance**
-This is designed for easy maintenance of the header and the defrost section because the coil section is exposed-type
3. **Minimum of A/S**
-Ensures long life of the drain heater by means of the double drain pan. (patented by KYUNG DONG)
-No clean-up of the drain pan because of closed-structure of the drain pan
4. **Increasing of the Refrigeration Efficiency**
-Ensures enough heat-exchange and the constant room temperature by wide air suction hole.



■ UNIT COOLER F, FH, FV SPECIFICATION

SPEC	MODEL	KUC-F, FH, FV 13			KUC-F, FH, FV 16			KUC-F, FH, FV 19		
		M	L	HL	M	L	HL	M	L	HL
ROOM TEMP		±5℃	-5 ~ -35℃	BELOW -35℃	±5℃	-5 ~ -35℃	BELOW -35℃	±5℃	-5 ~ -35℃	BELOW -35℃
COIL MAT'L		CU TUBE (CU 1220T), AL PLATE (AL 1100)								
DEFROST METHOD		살수식 전용 (WATER)(단 FV는 Heater 제상임.)								
FIN PITCH(M/M)		8.5	10	12	8.5	10	12	8.5	10	12
TRANSFER AREA(M ²)		117.7	129.1	134.5	1456.1	160.3	167	178.6	195.9	204.1
COOLING CAPACITY (kcal/h)	TD 5℃	11,045	10,095	8,415	13,710	12,535	10,450	16,760	15,320	12,770
	TD 7℃	15,140	13,840	11,535	18,795	17,185	14,325	22,980	21,000	17,505
	TD 10℃	23,760	21,715	18,100	29,490	26,965	22,475	36,050	32,950	27,465
FAN MOTOR		1.5KW × 6P × 2EA			1.5KW × 6P × 2EA			2.2KW × 6P × 2EA		
CURRENT (A)		13.6 / 7.8A			13.6 / 7.8A			19 / 11.2A		
FAN DIA (M/M)		AXIAL ø 610 × 2EA			AXIAL ø 650 × 2EA			AXIAL ø 700 × 2EA		
AIR VOLUME (CMM)		220			278			340		
PHASE / VOLTS		3 ø			220 / 380V			60Hz		
CASING		갈바륨도금판(GV)								
DEFROST	WATER AMOUNT (L / MIN)	134			169			206		
CONNECTION DIA(M/M)	IN/OUT	3/4" / 2"			3/4" / 2 1/2"			7/8" / 2 1/2"		
	WATER IN	40A			40A			50A		
	DRAIN (M/M)	80A			80A			100A		
EXTERNAL SIZE(E)(L×W×H)F		1750 × 1090 × 2005			2100 × 1090 × 2005			2500 × 1090 × 2055		
EXTERNAL SIZE(E)(L×W×H)FH		1750 × 1090 × 2150			2100 × 1090 × 2165			2500 × 1090 × 2265		
EXTERNAL SIZE(E)(L×W×H)FV		1820 × 1100 × 1707			2170 × 1150 × 1807			2570 × 1200 × 1807		
WEIGHT (KG)		690			770			850		

SPEC	MODEL	KUC-F, FH, FV 22			KUC-F, FH, FV 25			KUC-F, FH, FV 28		
		M	L	HL	M	L	HL	M	L	HL
ROOM TEMP		±5℃	-5 ~ -35℃	BELOW -35℃	±5℃	-5 ~ -35℃	BELOW -35℃	±5℃	-5 ~ -35℃	BELOW -35℃
COIL MAT'L		CU TUBE (CU 1220T), AL PLATE (AL 1100)								
DEFROST METHOD		살수식 전용 (WATER)(단 FV는 Heater 제상임.)								
FIN PITCH(M/M)		8.5	10	12	8.5	10	12	8.5	10	12
TRANSFER AREA(M ²)		203	222.7	231.9	227.3	249.4	259.8	252.6	277.1	288.6
COOLING CAPACITY (kcal/h)	TD 5℃	19,050	17,415	14,510	21,330	19,505	16,255	23,705	21,670	18,055
	TD 7℃	26,115	23,875	19,890	29,240	26,735	22,280	32,495	29,705	24,750
	TD 10℃	40,975	37,460	31,205	45,880	41,950	34,960	50,985	46,610	38,836
FAN MOTOR		1.5KW × 6P × 3EA			1.5KW × 6P × 3EA			2.2KW × 6P × 3EA		
CURRENT (A)		20.4 / 11.7A			20.4 / 11.7A			28.5 / 16.8A		
FAN DIA (M/M)		AXIAL ø 610 × 3EA			AXIAL ø 650 × 3EA			AXIAL ø 700 × 3EA		
AIR VOLUME (CMM)		386			433			480		
PHASE / VOLTS		3 ø			220 / 380V			60Hz		
CASING		갈바륨도금판 (GV)								
DEFROST	WATER AMOUNT (L/MIN)	235			263			480		
CONNECTION DIA(M/M)	IN/OUT	7/8" / 2 1/2"			7/8" / 2 1/2"			7/8" / 2 1/2"		
	WATER IN	50A			50A			65A		
	DRAIN (M/M)	100A			125A			125A		
EXTERNAL SIZE(E)(L×W×H)F		2800 × 1090 × 2005			3100 × 1090 × 2055			3100 × 11090 × 2085		
EXTERNAL SIZE(E)(L×W×H)FH		2800 × 1090 × 2175			3100 × 1090 × 2225			3100 × 1190 × 2295		
EXTERNAL SIZE(E)(L×W×H)FV		2870 × 1100 × 1807			3170 × 1200 × 1957			3170 × 1200 × 1957		
WEIGHT (KG)		1,020			1,100			1,250		

* 제품사양은 제품개발로 인하여 사전예고 없이 변경될 수 있습니다.
 * Above model & specifications can be changed without notice.

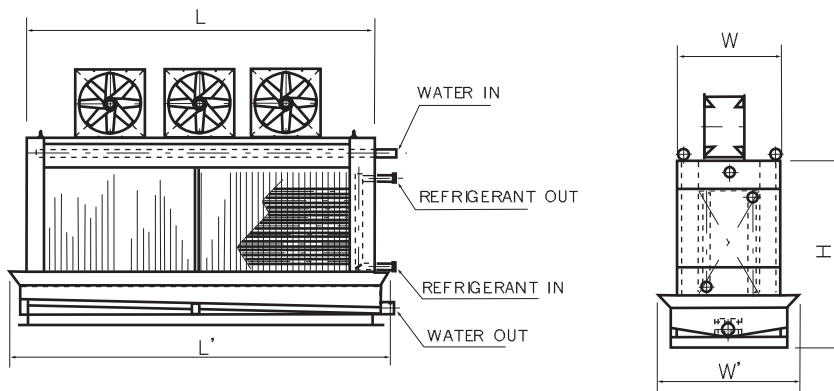
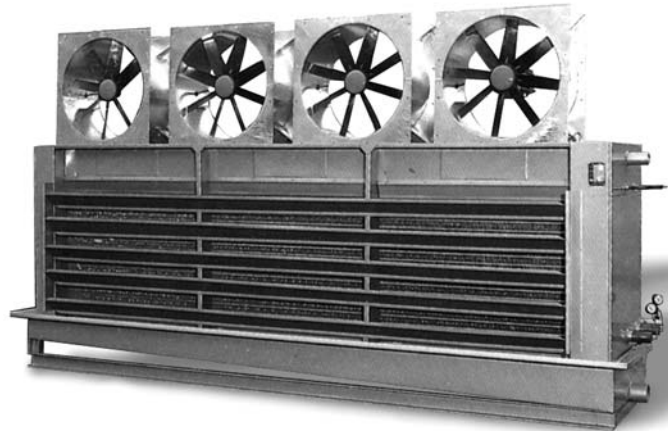
UNIT COOLER D. P. F - TYPE (전면 흡입형 : FRONT SUCTION TYPE)

특징

1. 제상방식의 다양한 선택
2. 보수, 점검이 용이
3. AXIAL FAN을 주위조건에 맞게 탈부착 용이
4. 동결 능력의 최대화

Feature

1. Various defrost system
2. Easy repairing & maintenance
3. Easy assembly and disassembly of the Axial Fan
4. Maximum of the freezing capacity



UNIT COOLER D.P.F-TYPE SPECIFICATION

SPEC	MODEL	KUC-D.P.F 26		KUC-D.P.F 28		KUC-D.P.F 31		KUC-D.P.F 34	
		L	HL	L	HL	L	HL	L	HL
ROOM TEMP		-25 ~ -35℃	BELOW-35℃	-25 ~ -35℃	BELOW-35℃	-25 ~ -35℃	BELOW-35℃	-25 ~ -35℃	BELOW-35℃
COIL MAT'L		CU TUBE (CU 1220T), AL PLATE (AL 1100)							
DEFROST METHOD		살수식 전용 WATER SPRAY DEFROST ONLY							
FIN PITCH(M/M)		10	12	10	12	10	12	10	12
TRANSFER AREA(M ²)		257.3	268	227.1	288.6	306.8	319.5	336.5	350.5
COOLING CAPACITY (kcal/h)	TD 5℃	20,120	16,770	21,670	18,055	23,995	19,990	26,315	21,930
	TD 7℃	27,585	22,985	29,705	24,750	32,890	27,400	36,075	30,060
	TD 10℃	43,280	36,065	46,610	38,835	51,605	42,995	56,600	47,165
FAN MOTOR		1.5KW × 3, 6P		2.2KW × 2, 6P		2.2KW × 2, 6P		2.2KW × 2, 6P	
CURRENT (A)		20.4 / 11.7 A		28.5 / 16.8A		28.5 / 16.8A		27.2 / 15.6 A	
FAN DIA (M/M)		AXIAL ø 650 × 3		AXIAL ø 650 × 3		AXIAL ø 650 × 3		AXIAL ø 650 × 3	
AIR VOLUME (CMM)		446		480		532		583	
PHASE / VOLTS				3 ø		220V / 380V		60Hz	
CASING		갈바륨도금판(GV)							
DEFROST	WATER OUT (L/MIN)	291		314		347		381	
	WATER IN (M/M)	65A		65A		65A		65A	
	HOT GAS	1"		1"		1"		1"	
CONNECTION DIA(M/M)	IN/OUT	7/8" / 2 1/2"		7/8" / 2 1/2"		7/8" / 2 1/2"		7/8" / 2 1/2"	
	DRAIN	125A		125A		125A		125A	
EXTERNAL SIZE(E)(H × W × L)		1550 × 820 × 2920		1550 × 820 × 3120		1600 × 820 × 3420		1600 × 820 × 3720	
WEIGHT (KG)		840		880		930		1,020	

※ 제품사양은 제품개발로 인하여 사전예고 없이 변경될 수 있습니다.
 ※ Above model & specifications can be changed without notice.

SF급 UNIT COOLER (이원 냉동용 : DUAL REFRIGERATION)

특징

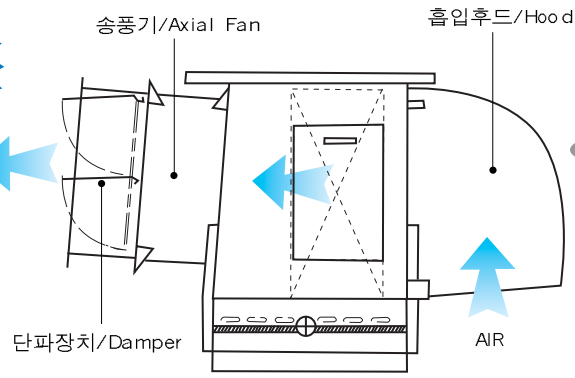
1. 살수제상, HEATER 제상방법 선택 가능
2. 초저온용 FAN 선택
3. HEATER제상시 UNIT COOLER의 보온 단파 및 후드 장치로 제상 극대화
4. 적상 상태 및 조건에 따른 다중 FIN PITCH 사용으로 UNIT COOLER축소 및 효율 극대화
5. U-BEND, HEADER부위 점검문 설치(관리, 점검 용이)
6. ROOM온도 -50°C ~ -65°C용



Feature

1. Available to choose between water and heater defrost
2. Selection for the Extreme low temp of Fan
3. Optimize defrost by Damper & Hood device of the unit cooler on the heater defrost.
4. Maximize efficiency through using of the various fin pitch and smaller unit cooler by the frost condition.
5. Easy cleaning of U-BEND, HEADER by the inspection window.
6. Room temp -50°C ~ -65°C

히타 제상시전면 단파 장치 및 흡입부 후드 채택 - 선택사양
Application for suction part of hood and front part of damper device on the heater defrost - Option model



특징

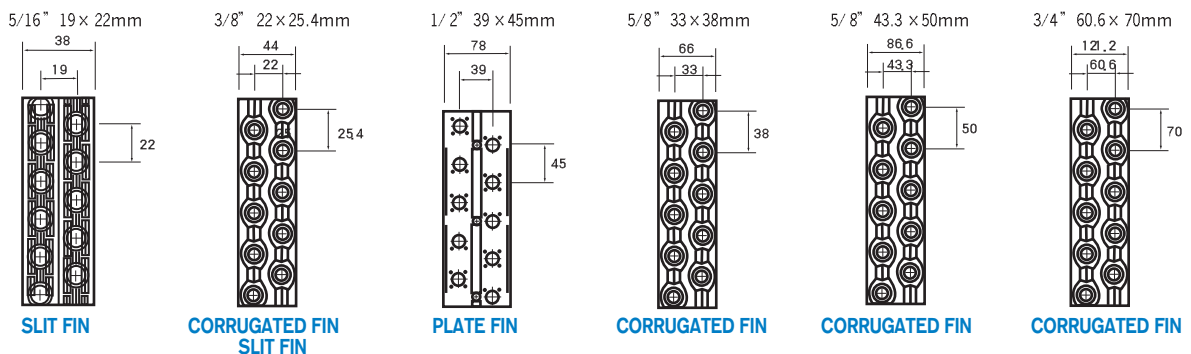
1. 제상 시간 단축효과
2. 제상시 고내온도 변화 축소
3. 제상시의 습증기 - 냉장고 천정 누적방지
4. 제상 효율증대 (누적얼음방지)
5. FAN MOTOR부위 결로방지 효과
6. 절전에 의한 운전비용 감소

FEATURE

1. Reduce the defrost time
2. Reduce for the changing of Room temp, on the defrost
3. Prevent the accumulated ice on the ceiling of refrigerator on the defrost
4. Increasing of defrost efficiency.
5. No ice formation on the environs of Fan Motor.
6. Save operating cost by the low power consumption.

■ FIN사양 및 M당 전열면적표 (Fin specification and heat transfer area sheet / M)

Fin specification (KYUNG DONG Standard)



■ HEAT TRANSFER AREA * coil 의 총 전열면적(Am²) = 열수 × 단수 × 유효장 × 하기 선정 치수

* Total transfer Area of coil(Am²) = Row × Step × Length × Below mentioned dimensions

관경 Dia	P.P(M/M)	F.P(M/M)	2.1	2.5	2.7	3	3.2	4.5	5	5.5	6.5	8.5	10	12	15
5/16"	22			0.399	0.313	0.288									
3/8"	25.4			0.44		0.377		0.263							
1/2"	45										0.5501	0.4246	0.3659		
5/8"	38			0.8958	0.874	0.809	0.758				0.4236	0.348	0.3116	0.277	
5/8"	50										0.705	0.5638	0.4948	0.4295	0.364
3/4"	70										1.267	1.039	0.843	0.718	0.585



KYUNG DONG R&H CO.,LTD.

본사 및 공장

경남 김해시 진영읍 의전리 344-3번지

#344-3 YEIJUN-RI, JINYOUNG-EUP, GIMHAE, GYUNGNAM, KOREA

TEL : (055)345-1941~5

FAX: (055)345-1946

www.kd-cooler.co.kr

E-mail : heatex@kd-cooler.co.kr

